

OUTDOOR PTZ SPEED DOME CAMERA

600TVL

**IP66
OUTDOOR**

x39 OPTICAL ZOOM
x468 TOTAL ZOOM



Wall Mount

Ceiling Mount

CAMERA SPECIFICATIONS

- CCD Sensor: 1/4" Exview HAD PS CCD
- Zoom Magnification: x39 Optical Zoom, x12 Digital Zoom (Max x468 Zoom)
- Wide Dynamic Range Function (Optional)
- Day & Night Function: ICR (IR Cut Filter Removal)
- Various Focus Mode: Auto Focus/Manual Focus / Semi-Auto Focus.
- Independent or Global Camera Settings for Each Preset Locations.

POWERFUL PAN/TILT FUNCTIONS

- Max. 360°/sec. High Speed Pan/Tilt Motion
- Using Vector Drive Technology, Pan/Tilt Motions are accomplished in the shortest path. As a result, time to target view is reduced dramatically and the video on the monitor is very natural to watch.
- Ultra low speed (0.05°/sec.) enables operator to locate camera to desired target view with accuracy and ease.
- Zoom-proportional pan/tilt speed helps operator to move the camera easily.

DIMENSIONS

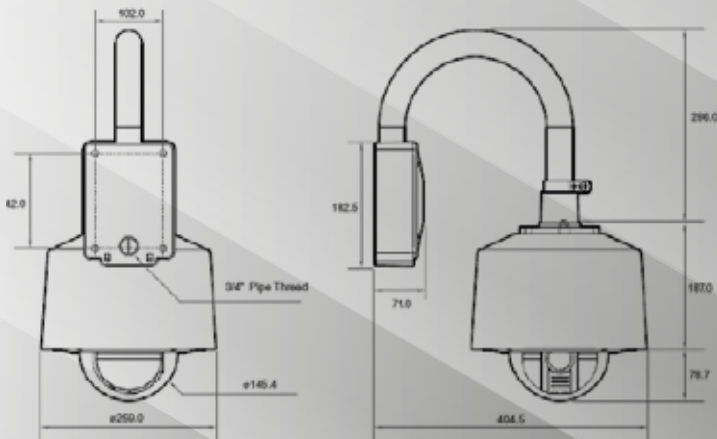


Image Device	1/4" Exview HAD PS CCD
Total Pixel	410K pixels [811 (H) x 508 (V)]
Effective Pixel	380K pixels [768 (H) x 494 (V)]
H. Resolution	Color: 560 TV Lines B/W: 600 TV Lines
S/N Ratio	More than 53dB (AGC Off)
Zoom	x39 Optical Zoom & x12 Digital Zoom
Focal Length	F 1.6 (W) 3.7 (T) f=3.4 ~ 132.6mm
Angle of View	H: 57.54° (W) ~ 1.56° (T) V: 44.44° (W) ~ 1.16° (T)
MIN. Illuminance	Color: 1.2 Lux / 0.004 Lux (Sens up x 256) F1.6 (50 IRE) B/W: 0.12 Lux / 0.0004 Lux (Sens up x 256) F1.6 (50 IRE)
Day & Night	Auto / Day / Night (IR Cut Filter)
Focus	Auto / Manual / Semi-Auto
Iris	Auto / Manual
Shutter Speed	x256, 1/60~1/10000 sec
AGC	OFF / VERY LOW / LOW / MIDDLE / HIGH / VERY HIGH / USER 1~16
White Balance	ATW1 / ATW2 / AWC / 3200K / 5600K / INDOOR / OUTDOOR
WDR / BLC	WDR / BLC / ALL Off
DNR	Low / Middle / High / Off
Video Out	VBS 1.0V p-p (75ohm Terminated)
Other Functions	Image Auto Flip, Auto parking, Power-up Action & etc.
Range	Pan : 360° (Endless) Tilt : 0°~180° (Auto-Flip On), 0°~90° (Auto-Flip Off)
Pan/Tilt Speed	Preset : 360° / sec Manual : 0.05° ~ 200° / sec (Zoom Proportional) Scan : 1° ~ 180° / sec
Preset	127 Presets with Labels Independent Camera Setup
Pattern	4 Patterns (1000 command : Approx. 5 Minutes for Each Pattern)
Scan	8 Scans
Group	8 Groups (Max. 20 Enters per Group)
Schedule	7 Rules (Condition: Day, Time -> Action: Preset, Scan, Group, Pattern)
Other Functions	Image Auto Flip, Auto Parking, Power-up Action & etc.
Communication	RS-485
Protocol	Pelco-D, Pelco-P Selectable
Privacy Zone	8 Zones
Sensor In/Out	Built-in 8 Input / 4 Relay Output
OSD	English, Menu / PTZ information etc Support 7 Languages: ENGLISH / ESPAÑOL / FRANÇAIS / DEUTSCH / ITALIANO / PORTUGUÊS
Power	AC 24V, 24W(Heater Off) / 55W(Heater On)
Dimension	Net: 260 x 552 x 405 Package: 605 x 400 x 500
Weight	Net: about 6 Kg Package: about 11 Kg
Operating Temp.	-45°C ~ 50°C / -49°F ~ 122°F
Outdoor Housing	IP 66/ Vandal Proof Structure Outdoor Housing (Housing & Accessories : AL Die-cast), (Dome Cover: PC)

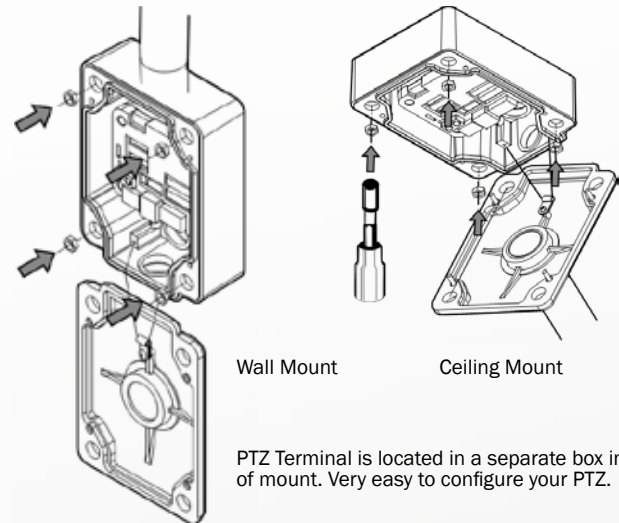
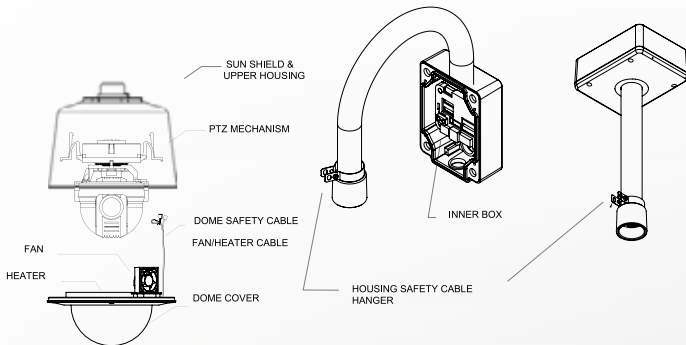
MADE IN KOREA

OUTDOOR PTZ SPEED DOME CAMERA

600TVL

1.2.3 EASY INSTALLATION

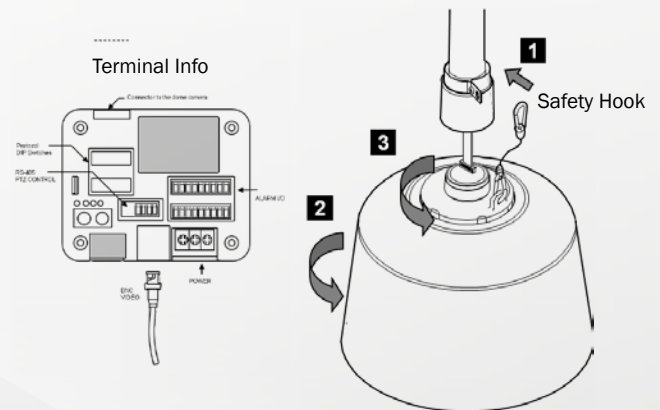
1. Installing mount for PTZ and Terminal Setup



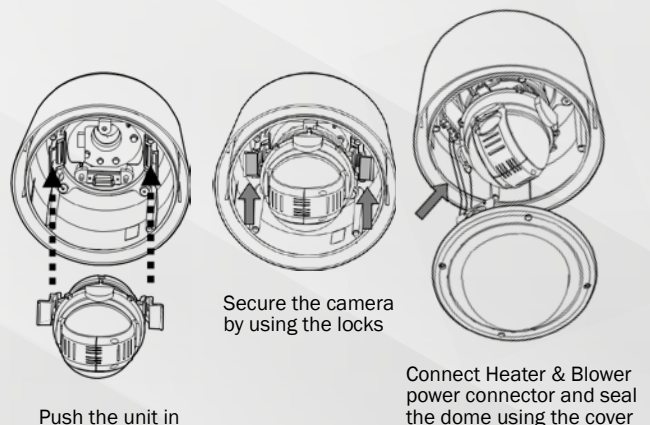
PRESET, PATTERN, SCAN, GROUP, SCHEDULE & MORE

- Max. 127 Presets are assignable. All of them have independent characteristics such as White Balance, Auto Exposure, Label, Alarm Input/Output and so on.
- Max. 8 set of Scan can be stored. This enables to move camera repetitively between two preset positions with designated speed.
- Max. 4 of Patterns can be recorded and played back. This enables to move camera to follow any trajectory operated by joystick as closely as possible.
- Max. 8 set of Group action can be stored. This enables to move camera repetitively with combination of Preset or Pattern or Scan. A Group is composed of max. 20 entities of Preset/Pattern/Scans.
- 7 rules of Schedule can be assigned by day and time. Appropriate actions (such as Home, Preset, Group, Pattern and Scan) can be defined for each rule. Also, it is possible to use Weekday and All days to simplify the rule.

2. Connecting Dome Unit to the mount



3. Installing a Camera Unit



PTZ (PAN/TILT/ZOOM) CONTROL

- With RS-485 communication, max. 255 of cameras can be controlled at the same time.
- Pelco-D/ Pelco-P/ Samsung protocol can be selected as a control protocol in the current version of firmware.

OSD (ON SCREEN DISPLAY) MENU

- OSD menu is provided to display the status of camera and to configure the functions interactively.
- The information such as Camera ID, Pan/Tilt/Zoom/ Direction, Alarm Input & Output, date/time, current temperature and Preset can be displayed on screen.
- Each display item can be turned on or off independently.

ALARM I/O FUNCTIONS

- 8 alarm sensor inputs and 4 relay output are available.
- To reject external electric noise and shock perfectly, alarm sensor input is decoupled with photo coupler.
- The signal range of sensor input is from DC 5.0 to 12.0 volts to adopt various applications.
- If an external sensor is activated, camera can be set to move to the corresponding preset position

MADE IN KOREA